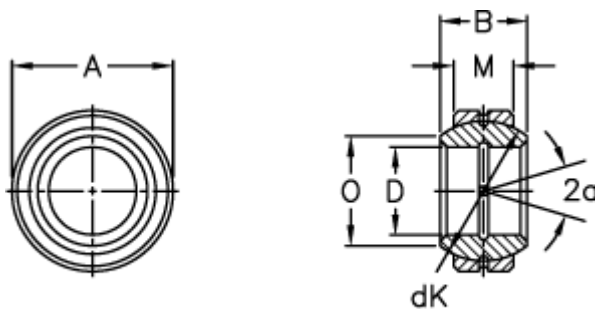


Article number: 03506110

Description: Fluro Rod end GE 110FO-2RS

## Measures



Str. 6-12 uden smørerille

A	= 180 0 -0,025	Tilt angle = 12
B	= 100	Weight = 9600
D	= 110 0 -0,020	
dK	= 160	
Dynamic load C (kN)	= 950	
M	= 70	
O	= 124.8	
Static load C0 (kN)	= 4750	